

# NARROW BARE T8

XBB236EL



200°



IP20

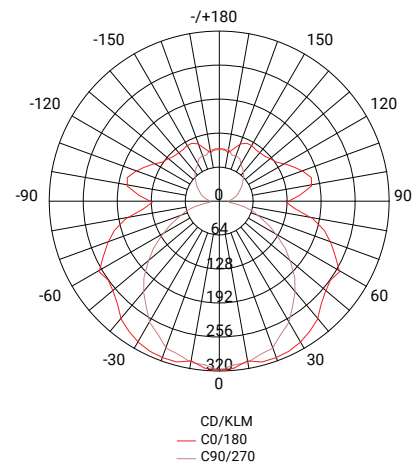


COLOUR  
TEMP. 4000K



SURFACE  
MOUNTED

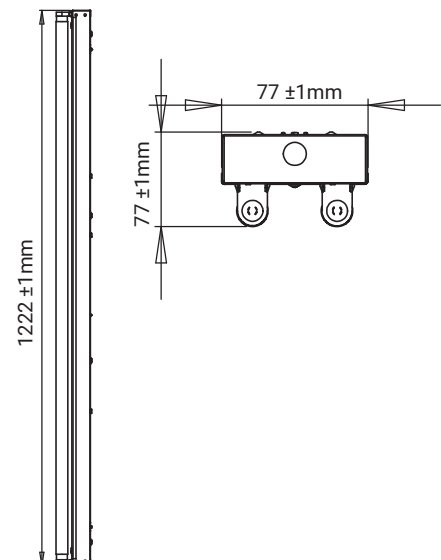
## PHOTOMETRIC DIAGRAM



## PHOTOMETRIC DATA

|                 |                     |
|-----------------|---------------------|
| Efficacy (lm/W) | ≥100                |
| CCT             | 4000K               |
| CRI             | >80                 |
| Beam Angle (°)  | 200°                |
| LED Type        | T8 Fluorescent Tube |

## DIAGRAM(S)



## DESCRIPTION

Narrow Bare Fluorescent T8 available in 18W and 36W single or twin options.

Suitable for commercial applications, car parks, basement parking, retail environments and industrial applications. Excellent light distribution and body is in corrosion-resistant powder coated steel.

T8 fluorescent lights are some of the most widely used and they require minimal maintenance. Supplied complete with lamps.



## KEY INFORMATION

|                 |   |
|-----------------|---|
| Model           | XBB136EL  |
| Power (W)       | 2x18W   |
| Lumens (lm)     | ~2560lm   |
| Construction    | Glossy white powder coated cold roll steel body |
| Dimming Options | Non-dimmable                                    |
| Fitting Colour  | White   |
| IP Rating (IP)  | IP20  |
| Lifespan (hrs)  | 30,000hrs                                       |
| Dimensions (mm) | L1222mm x W77mm x H77mm                         |
| Mounting        | Surface mounted                                 |

Additional:

3 Year replacement warranty on fitting