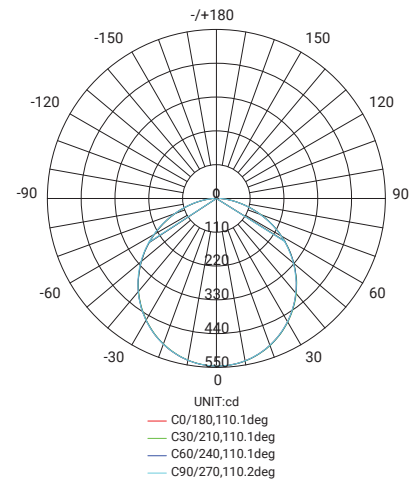


SPECTRE OVAL

XCLS10



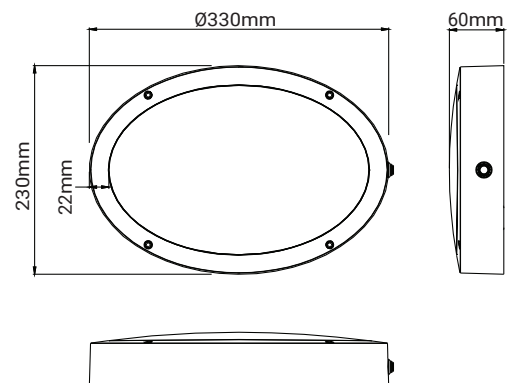
PHOTOMETRIC DIAGRAM (4000K)



PHOTOMETRIC DATA

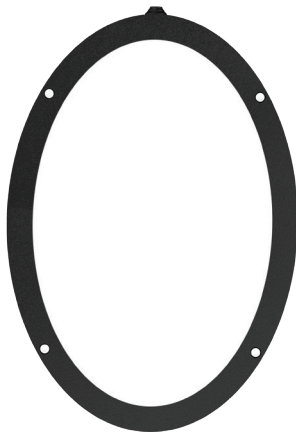
Efficacy	≥82
CCT	3000/4000/5700K
CRI	>80
Beam Angle (°)	110°
LED Type	SMD3825

DIAGRAM(S)/ADDITIONAL



DESCRIPTION

The XLED Spectre Oval IP surface mounted LED bulkhead fitting has sleek and elegant design and feel while using energy saving LED. With its robust body construction & polycarbonate diffuser, this fitting is suitable for almost any application where aesthetics & performance are a must.



KEY INFORMATION

Model	XCLS10
Power (W)	18W
Lumens (lm)	~1480-1780lm
Construction	Diecast aluminium body Opal polycarbonate diffuser
Dimming Options	Non-dimmable
Fitting Colour	Black or white
IP Rating (IP)	IP65 IK10
Lifespan (hrs)	50,000hrs
Dimensions (mm)	L330mm x W230mm x H60mm
Mounting	Surface mounted
Control Gear	Integral electronic LED driver

Additional:
Complete with Stainless Steel Accessories
3 Year replacement warranty on fitting