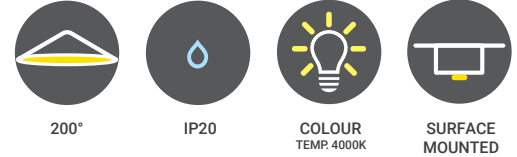
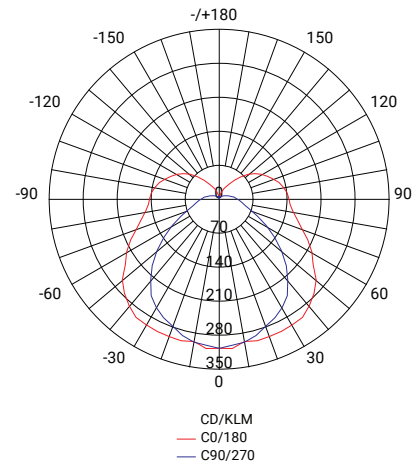


# DIFFUSED T8

XDB218EL



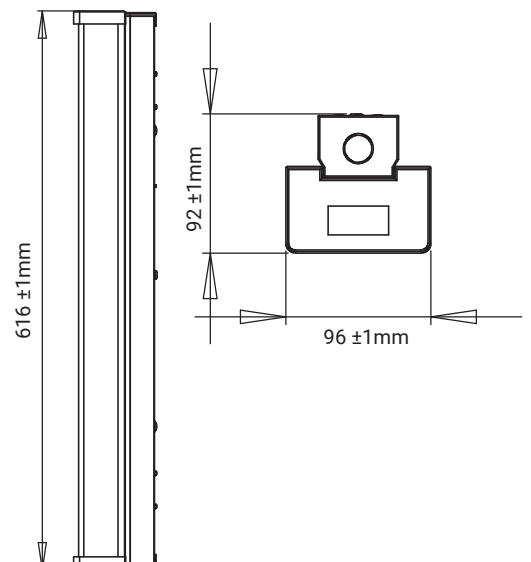
## PHOTOMETRIC DIAGRAM



## PHOTOMETRIC DATA

Efficacy (lm/W)	≥100
CCT	4000K
CRI	>80
Beam Angle (°)	200°
LED Type	T8 Fluorescent Tube

## DIAGRAM(S)



## DESCRIPTION

Batten Diffused Fluorescent T8 available in 18W and 36W single or twin options.

Suitable for commercial applications, car parks, basement parking, schools, retail environments and industrial applications. Attractive reeded eopal diffuser with an excellent light distribution and body is in corrosion resistant powder coated steel.

T8 fluorescent lights are some of the most widely used and require minimal maintenance. Supplied complete with lamps.



## KEY INFORMATION

Model	XDB218EL
Power (W)	2x18W
Lumens (lm)	~2000lm
Construction	Glossy white powder coated cold roll steel body
	Pattern 12 prismatic acrylic diffuser
Dimming Options	Non-dimmable
Fitting Colour	White
IP Rating (IP)	IP20
Lifespan (hrs)	30,000hrs
Dimensions (mm)	L616mm x W96mm x H92mm
Mounting	Surface mounted

Additional:  
3 Year replacement warranty on fitting