

HARRIER MK2

XHB200W



90°



IP66

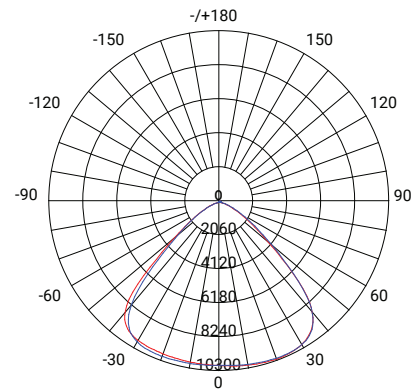


COLOUR
TEMP. 5000K



SUSPENDED

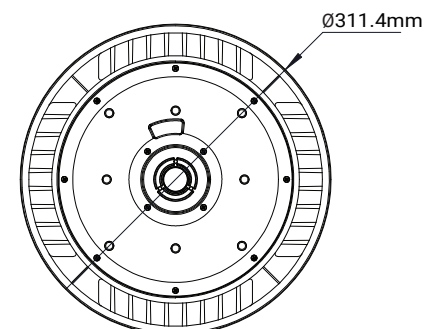
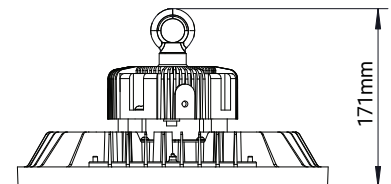
PHOTOMETRIC DIAGRAM



PHOTOMETRIC DATA

Efficacy	≥95
CCT	5000K
CRI	≥80
Beam Angle (°)	90°
LED Type	Lumileds 2835

DIAGRAM(S)



DESCRIPTION

The XLED HARRIER MK2 is an ultrathin LED industrial high bay ideal for factories, warehouses & distribution centres. Designed to replace 250W & 400W HID high bays, offering significant energy savings whilst delivering long lifetime in often hard to reach maintenance areas.

Multiple accessories available.



KEY INFORMATION

Model	XHB200W
Power (W)	200W
Lumens (lm)	~30,000lm
Construction	Aluminium alloy body Clear polycarbonate reflector
Dimming Options	Non-dimmable
Fitting Colour	Black
IP Rating (IP)	IP66
Lifespan (hrs)	50,000
Dimensions	Ø311.4mm x H171mm
Mounting	Suspended

Additional:
Complete with suspension hook
Multiple attachment options available
3 Year replacement warranty on fitting