

WIDE T8 2X18W

XWBB218EL



180°



IP20

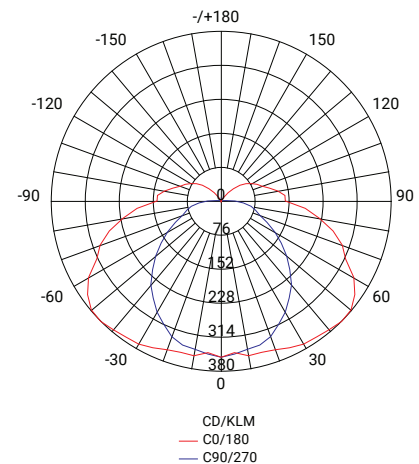


COLOUR
TEMP. 4000K



SURFACE
MOUNTED

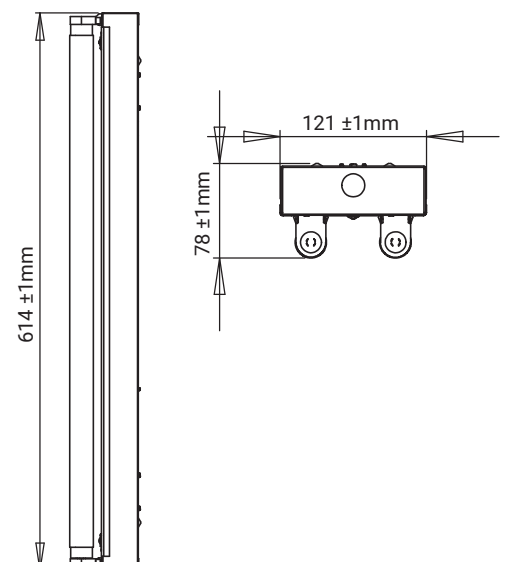
PHOTOMETRIC DIAGRAM



PHOTOMETRIC DATA

Efficacy (lm/W)	≥100
CCT	4000K
CRI	>80
Beam Angle (°)	180°
LED Type	T8 Fluorescent Tube

DIAGRAM(S)



DESCRIPTION

Wide Bare Fluorescent T8 available in 18W and 36W single or twin options.

Suitable for commercial applications, car parks, basement parking, retail environments and industrial applications. Excellent light distribution and body is in corrosion-resistant powder coated steel.

T8 fluorescent lights are some of the most widely used and they require minimal maintenance. Supplied complete with lamps.



KEY INFORMATION

Model	XWBB218EL
Power (W)	2x18W
Lumens (lm)	~2430lm
Construction	Glossy white powder coated cold roll steel body
Dimming Options	Non-dimmable
Fitting Colour	White
IP Rating (IP)	IP20
Lifespan (hrs)	30,000hrs
Dimensions (mm)	L614mm x W121mm x H78mm
Mounting	Surface mounted

Additional:

3 Year replacement warranty on fitting